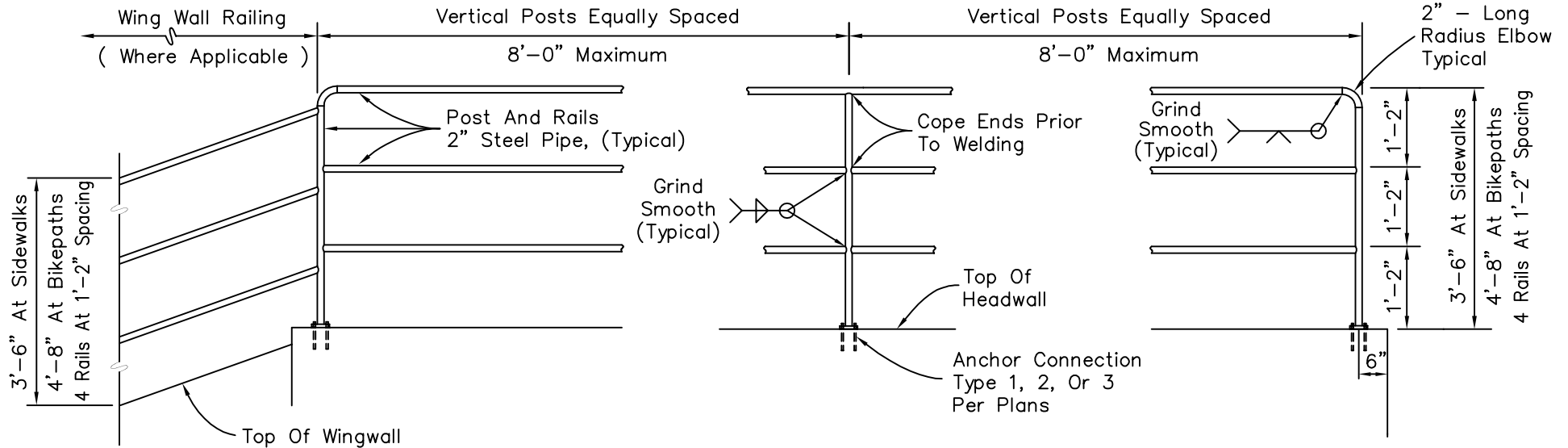
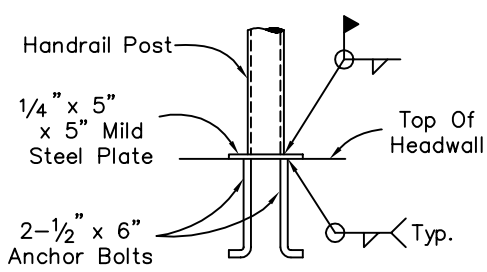


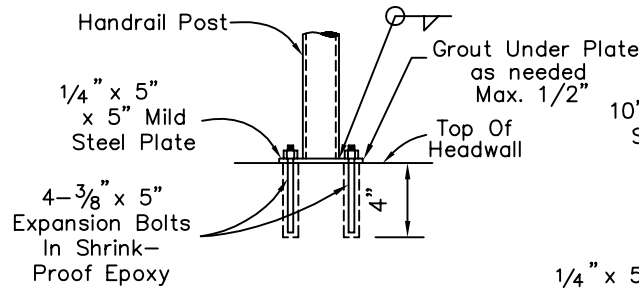
REVISED 3/28/02



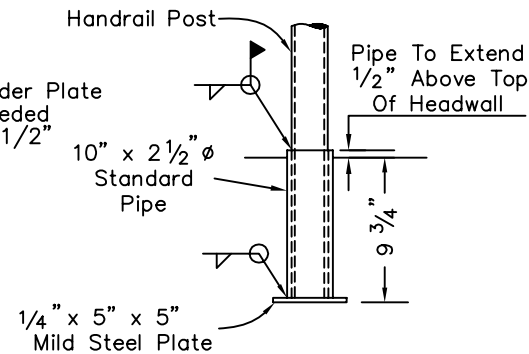
**ELEVATION**



**TYPE 1**  
**ANCHOR PLATE DETAIL**



**TYPE 2**  
**EXPANSION BOLT DETAIL**



**TYPE 3**  
**PIPE SLEEVE DETAIL**

**CONSTRUCTION NOTES**

1. Paint handrail per MAG Specifications Section 530. Color per plans.
2. Vertical posts to be evenly spaced.

DETAIL NO.  
**2508**

**City of Scottsdale**  
**Standard Details**

**HANDRAIL DETAIL**

DETAIL NO.  
**2508**