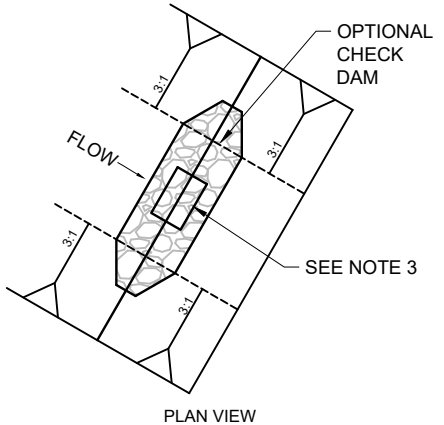
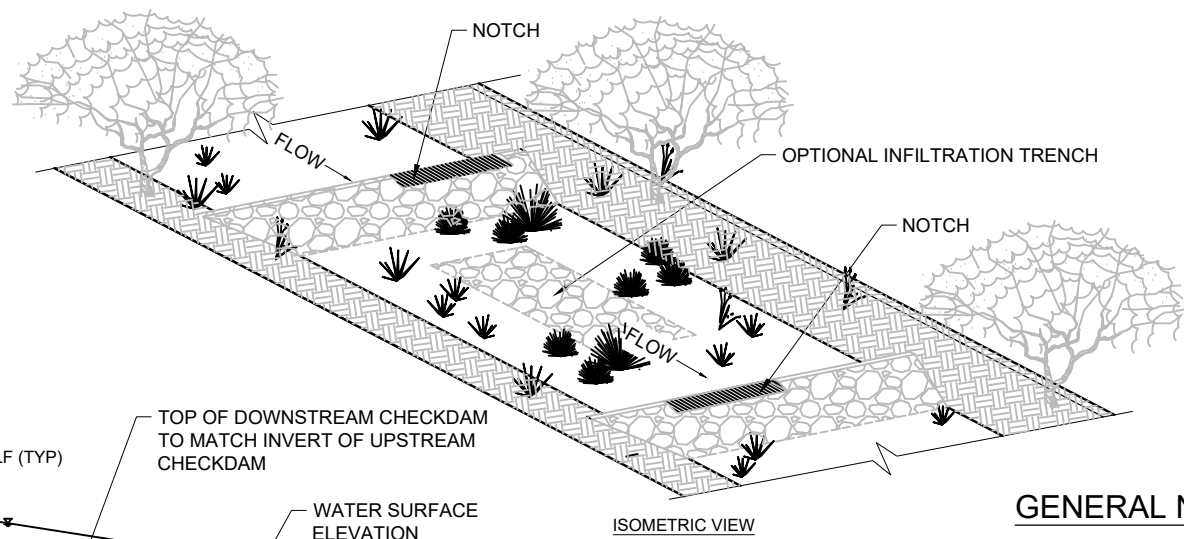


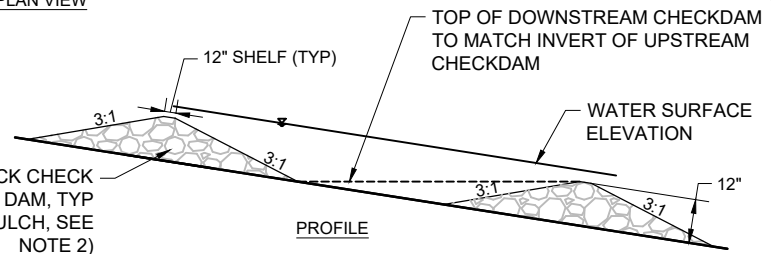
**GENERAL NOTES (BIOSWALE):**

1. VEGETATION SHOULD BE OFFSET FROM CONCENTRATED FLOW.
2. SELECTED LANDSCAPE PLANTS SHOULD BE DROUGHT TOLERANT. DRIP IRRIGATION WILL BE PROVIDED BY A TEMPORARY OR PERMANENT IRRIGATION SYSTEM.

**BIOSWALE SECTION**



PLAN VIEW



PROFILE

**OPTIONAL ROCK CHECK DAM**

**GENERAL NOTES (CHECK DAM):**

1. OPTIONAL CHECK DAM IS MEANT TO DISPERSE DURING HIGHER FLOWS, SEE SECTION 640.3.3 OF SPECIFICATIONS.
2. D50 SIZE DETERMINED BY THE DESIGN REPORT.
3. NOTCHES SHALL BE OFFSET FROM ONE ANOTHER.
4. DEDICATED OUTFLOW REQUIRED FOR THIS FEATURE.
5. OPTIONAL ROCK CHECK DAM TO BE LOCATED TO REDUCE VELOCITIES PER DESIGN REPORT.
6. RIPRAP AND ROCK MULCH REQUIRED WHEN VELOCITIES EXCEED TABLE 6.2 OF THE FLOOD CONTROL DISTRICT OF MARICOPA COUNTY HYDRAULICS MANUAL.

DETAIL NO. <b>LID-06</b>	<b>STANDARD DETAIL ENGLISH</b>	<b>VEGETATED OR ROCK BIOSWALES</b>	REVISED 01-29-2019	DETAIL NO. <b>LID-06</b>
-----------------------------	------------------------------------	------------------------------------	-----------------------	-----------------------------