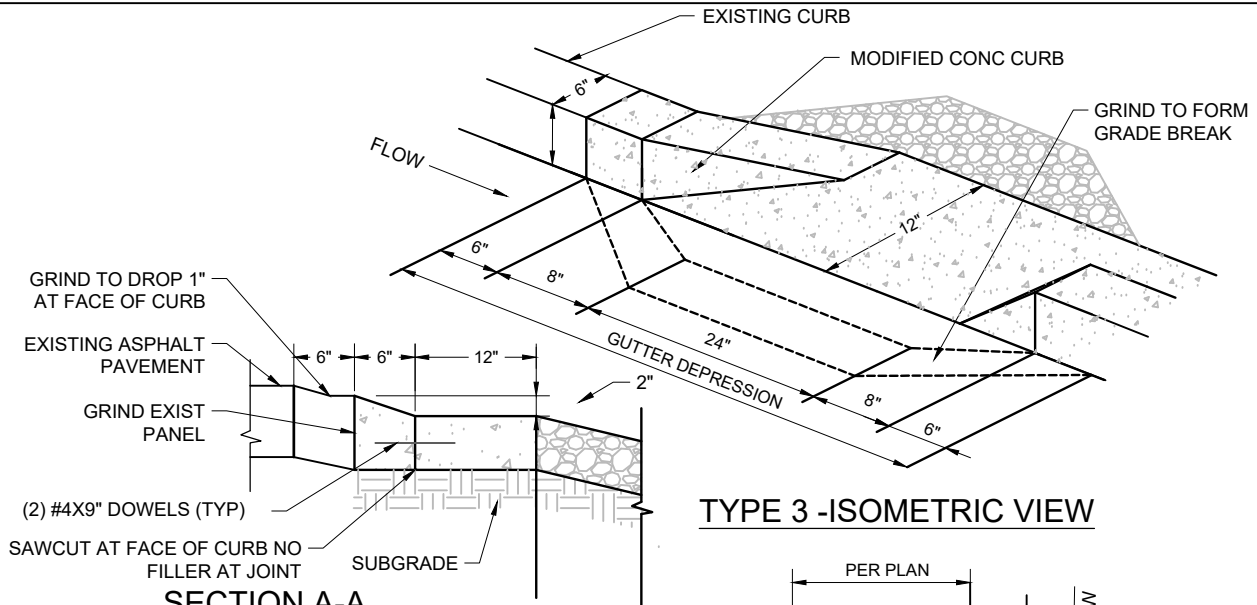
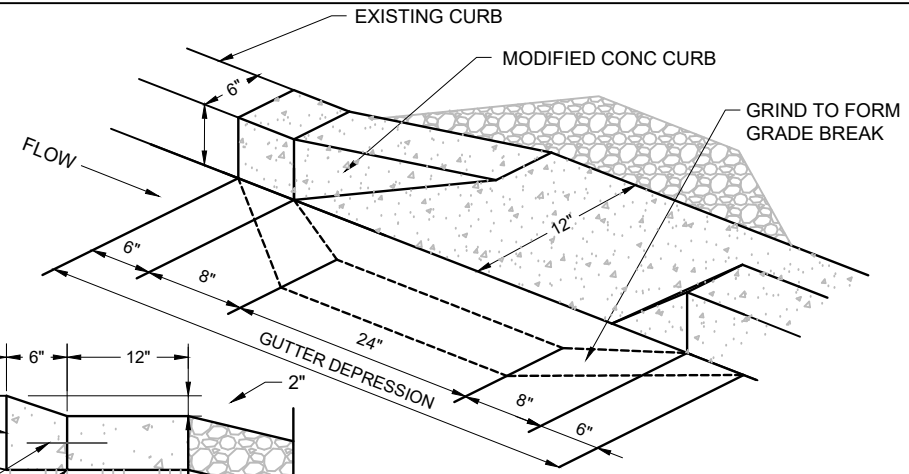


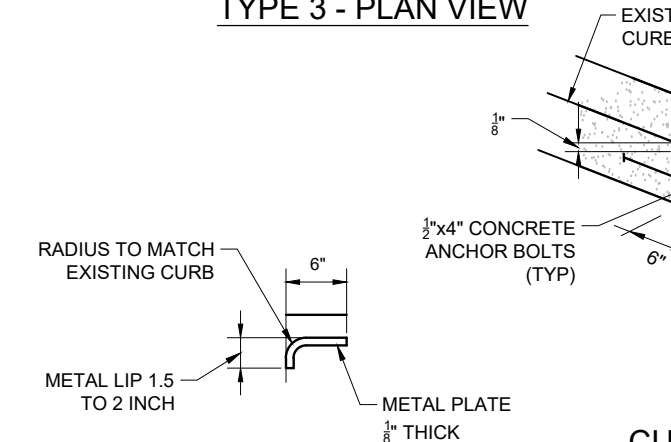
TYPE 3 - PLAN VIEW



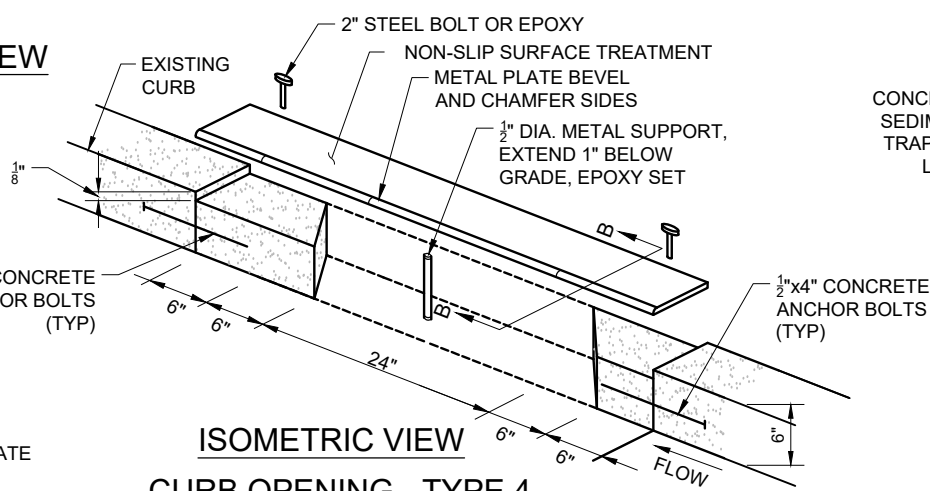
**SECTION A-A
CURB OPENING - TYPE 3
CONCENTRATED FLOW INLET**



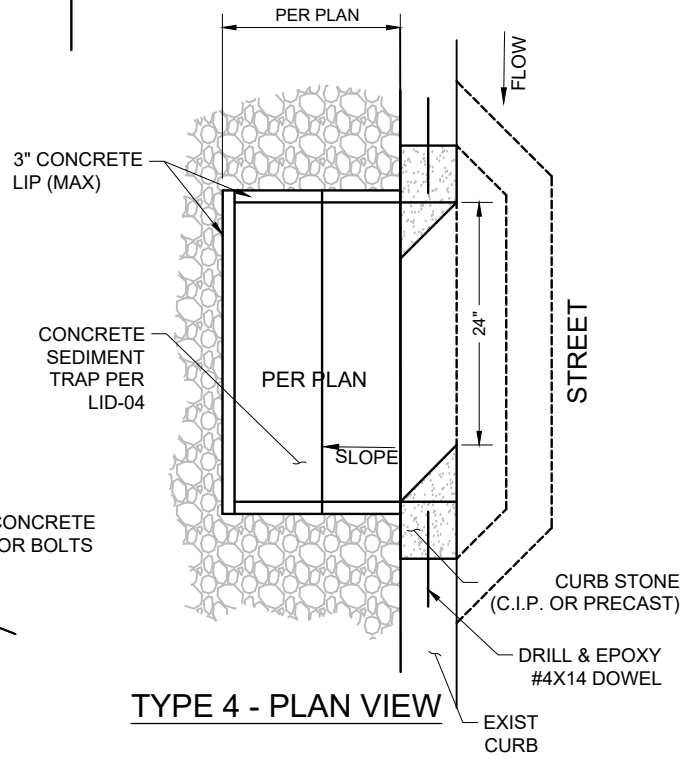
TYPE 3 - ISOMETRIC VIEW



TYPE 4 - SECTION B-B



**ISOMETRIC VIEW
CURB OPENING - TYPE 4
CONCENTRATED FLOW INLET**



TYPE 4 - PLAN VIEW

DETAIL NO. LID-03	STANDARD DETAIL ENGLISH	CURB OPENINGS	REVISED 01-29-2019	DETAIL NO. LID-03
-----------------------------	------------------------------------	----------------------	-----------------------	-----------------------------